



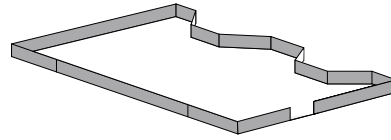
Hall 5

The single-storey Hall 5 at ground level has a compact floor plan and is ideal for smaller, independent events or exhibitions and other unusual activities. The specific feature of this Hall is its big glazed façade

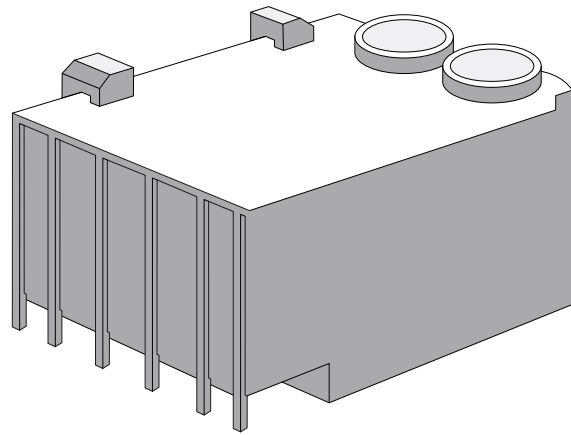
facing Exhibition Square, which makes the Hall even more attractive. Directly above the Hall is the Messe Basel car park, with a total of 1 200 parking spaces.

Hall 5: Facts and figures

Hall 5.0



Hall 5



Key figures

Year built	1964
Architect	Architekten Suter & Suter, Basel
Floor plan	57 × 23 m
Storeys	1
Overall area	1 300 m ²
Gross exhibition area	1 300 m ²
Usable hall height	4.5 m
Floor covering	Asphalt
Maximum floor load	1 400 kg/m ² , at some points 2 000 kg/m ²
Pillar grid	13.6 × 8.25 m
Media points	1 media point per 110 m ²
Restaurants	Mobile outlets
Communications technology	Glass fibre network, internet, telephony, PW-LAN
Toilets	
Ladies' toilets	6
Men's toilets	3
Urinals	3
Disabled toilets	0
Lifts	-
Gate size	4.0 m wide, 4.55 m high